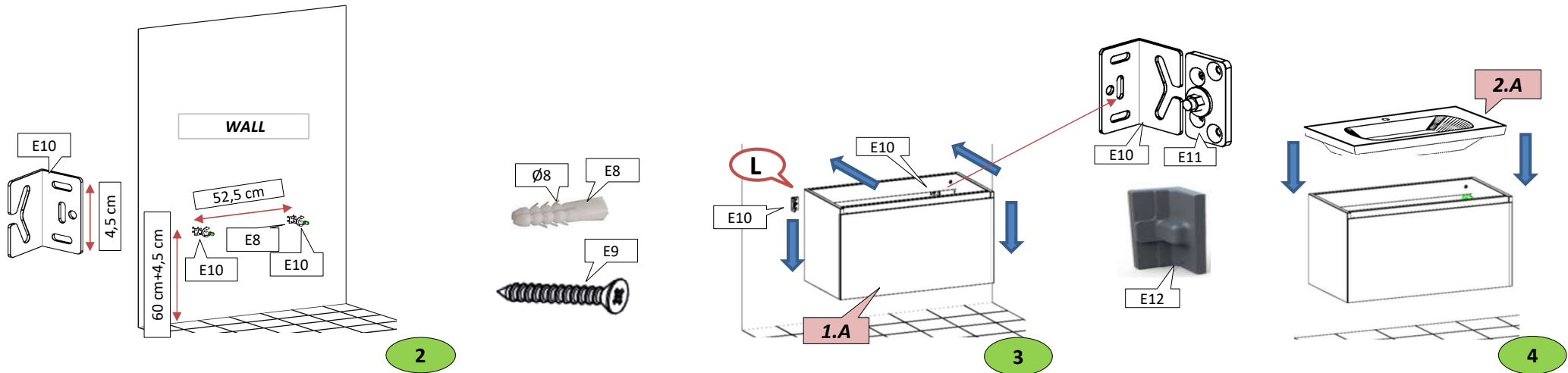
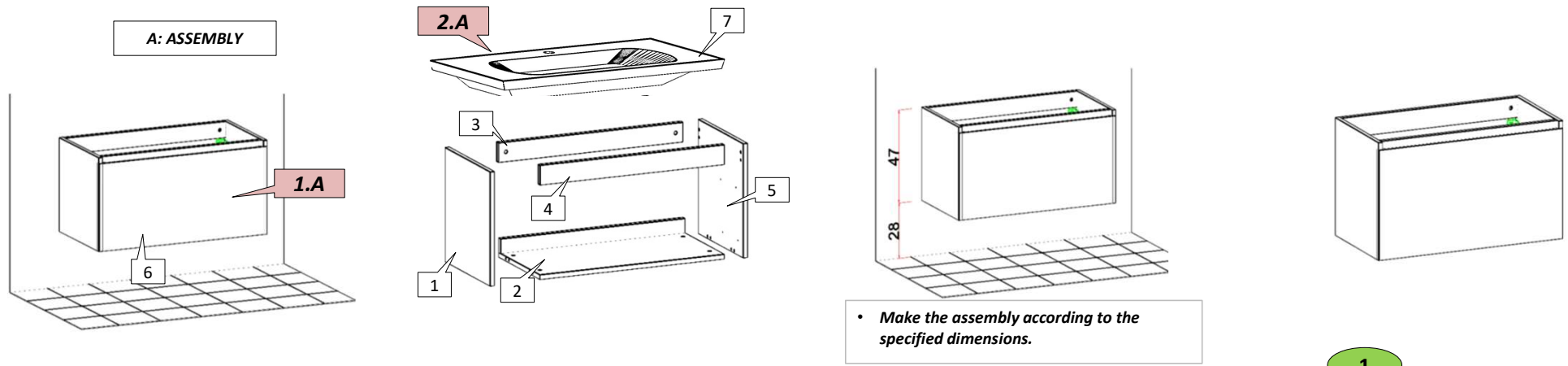



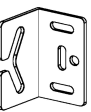




LANGLEY SINK CABINET (60 cm)

You Can Install According To The Specified Numbers.

ASSEMBLY GUIDE



													
E1X1	E2X1	E3X1	E4X1	E5X1	E6X1	E7X1	E8X4	E9X4	E10X2	E11X2	E12X2		

If you need a spare part, please provide the "model number and part number" shown in the installation instructions.